

# LS2-B891

# LT2-B892

**Single Needle Unison Feed Lock Stitcher**  
**Single Needle Unison Feed Lock Stitcher**  
**with Thread Trimmer**  
**Twin Needle Unison Feed Lock Stitcher**  
**Twin Needle Unison Feed Lock Stitcher**  
**with Thread Trimmer**



## Specifications

	No. of needles	Needle gauge (mm)	Height of presser foot (mm)	Max. stitch length (mm)	Max. sewing speed (rpm)
LS2-B891	1	-	Manual 9 Knee 16 Auto 16 (-705)	9 (Both forward and reverse)	3,500
LT2-B892	2	3, 4, 6, 8, 10, 12			

## LS2-B891-□05, LT2-B892-□05

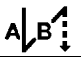
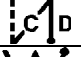

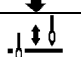

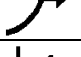
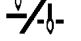

	0	7
Thread trimmer	—	○
Quick reverse switch	—	○
Alternating presser foot movement change switch	—	○
Auto backtack select switch	—	○
Needle up switch	—	○
Stitch length change switch	—	○
Automatic presser foot lifter	—	○
F-40 operation panel	—	○

## Sewing speed range (-705)

Stitch length	6 mm and less	6 – 9 mm
Alternating presser Foot movement amount		
1.0 – 2.4 mm	3,500 rpm	2,000 rpm
2.5 – 3.9 mm	3,000 rpm	2,000 rpm
4.0 – 4.7 mm	2,500 rpm	2,000 rpm
4.8 – 7.0 mm	2,000 rpm	2,000 rpm

## Panel operation guide (-705)

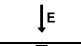

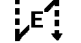
### Basic function

		B-40
AUTO	Automatic sewing	<input type="radio"/>
	Start backtack (0-9)	<input type="radio"/>
	End backtack (0-9)	<input type="radio"/>
	Continuous backtack (0-9)	<input type="radio"/>
	Correction sewing	<input type="radio"/>
	Half stitch	<input type="radio"/>
	Sewing speed setting	<input type="radio"/>
	Slow start sewing	<input type="radio"/>
	Needle up stop / Needle down stop	<input type="radio"/>


### Motor

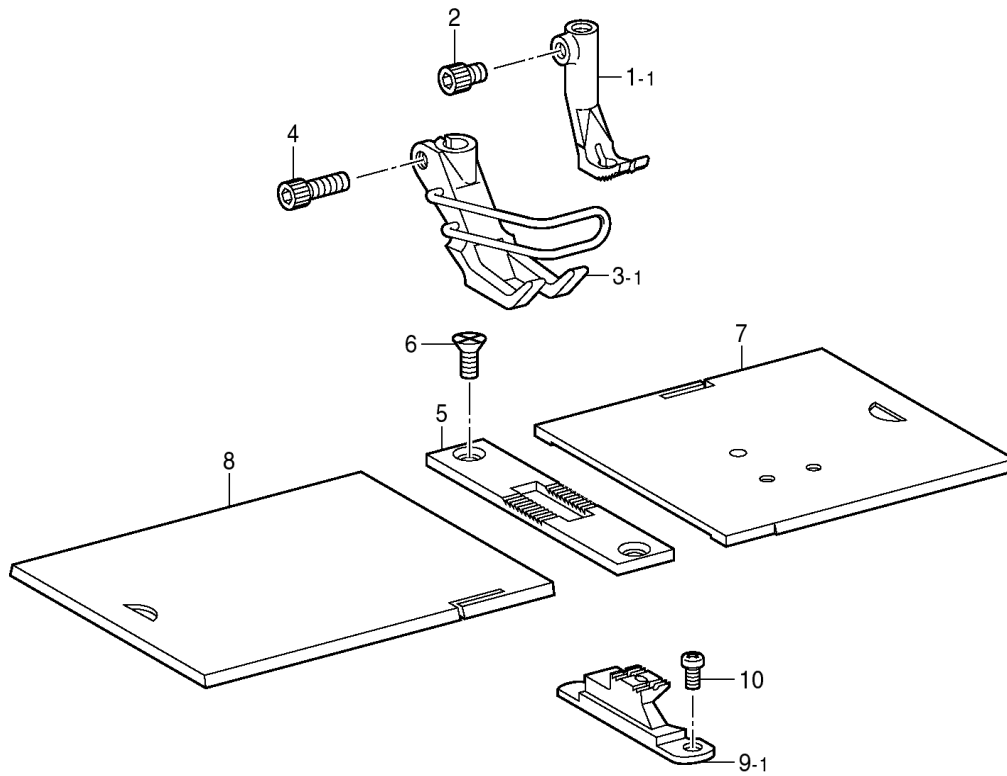
- 005 : Clutch motor (2 pole, 550 W)
- 007 : Special MD 600 AC servomotor

### Pattern sewing

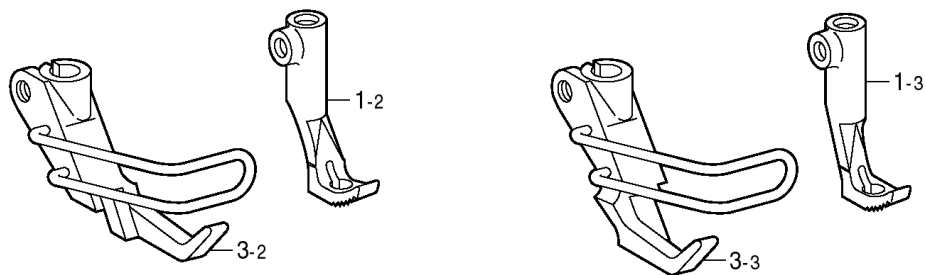
		B-40
	Fixed stitch (1-99)	<input type="radio"/>
	Name label stitch (1-99)	<input type="radio"/>
	Pleats presser stitch (1-99)	<input type="radio"/>

### Pattern setting

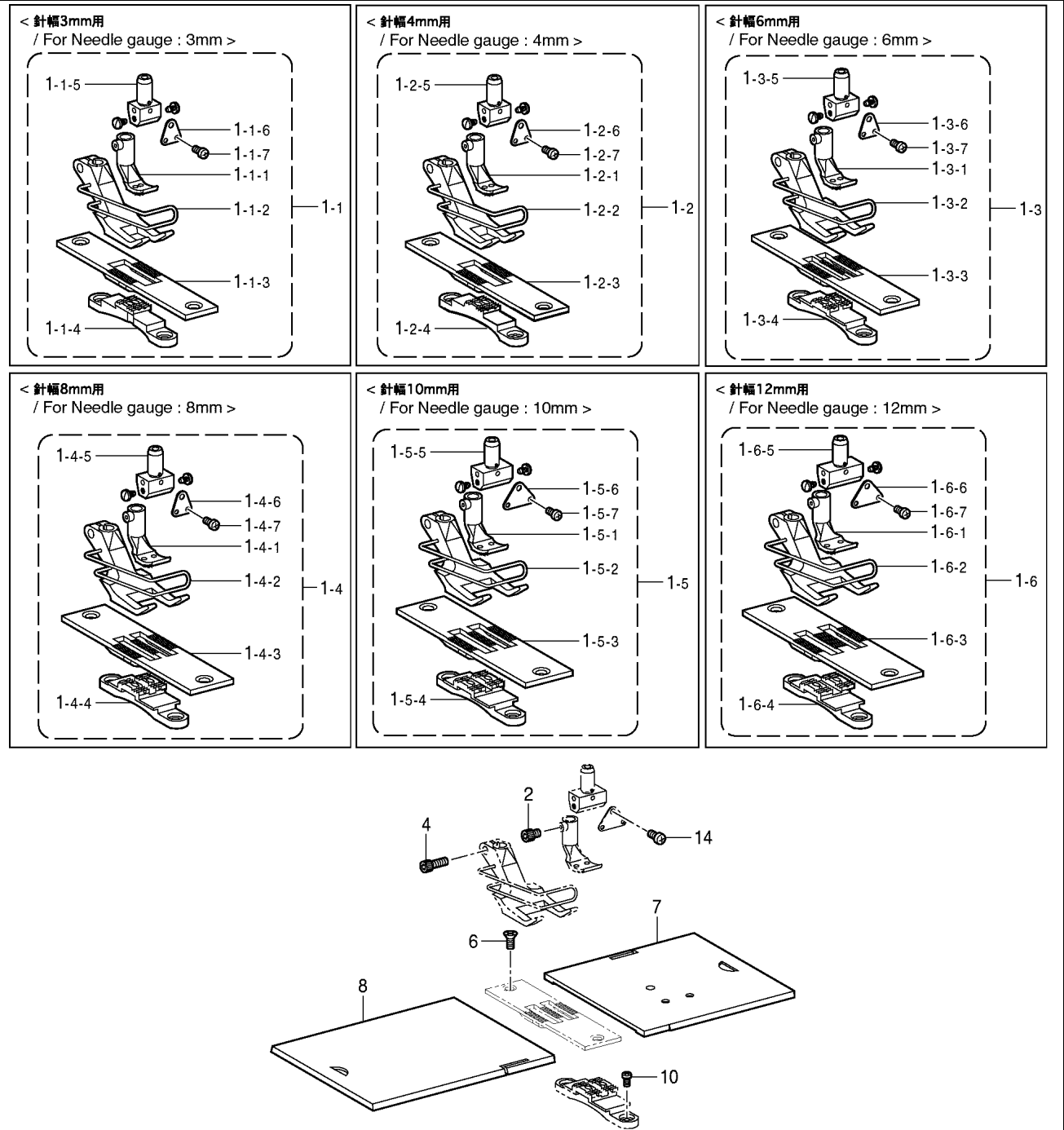
		B-40
	Automatic thread trimming	<input type="radio"/>



## オプション部品 / OPTION PARTS



Ref. No.	Part name	Part code	Q'ty
1-1	Inner presser foot	SSSS60-049	1
2	Bolt, socket M4 × 5	SSSS60-048	1
3-1	Outer presser foot assy	SSSS60-051	1
4	Bolt, socket M4 × 10	SSSS27-174	1
5	Needle plate	SSSS60-234	1
6	Screw, flat M4 × 8	SSSS60-235	2
7	Slide plate, R	SSSS60-236	1
8	Slide plate, L	SSSS60-237	1
9-1	Feed dog	SSSS60-309	1
10	Screw, pan M4 × 10	062401-012	2
	Option parts		
1-2	Inner presser foot, A	SSSS60-400	1
3-2	Outer presser foot assy, A	SSSS60-410	1
1-3	Inner presser foot, B	SSSS60-401	1
3-3	Outer presser foot assy, B	SSSS60-411	1



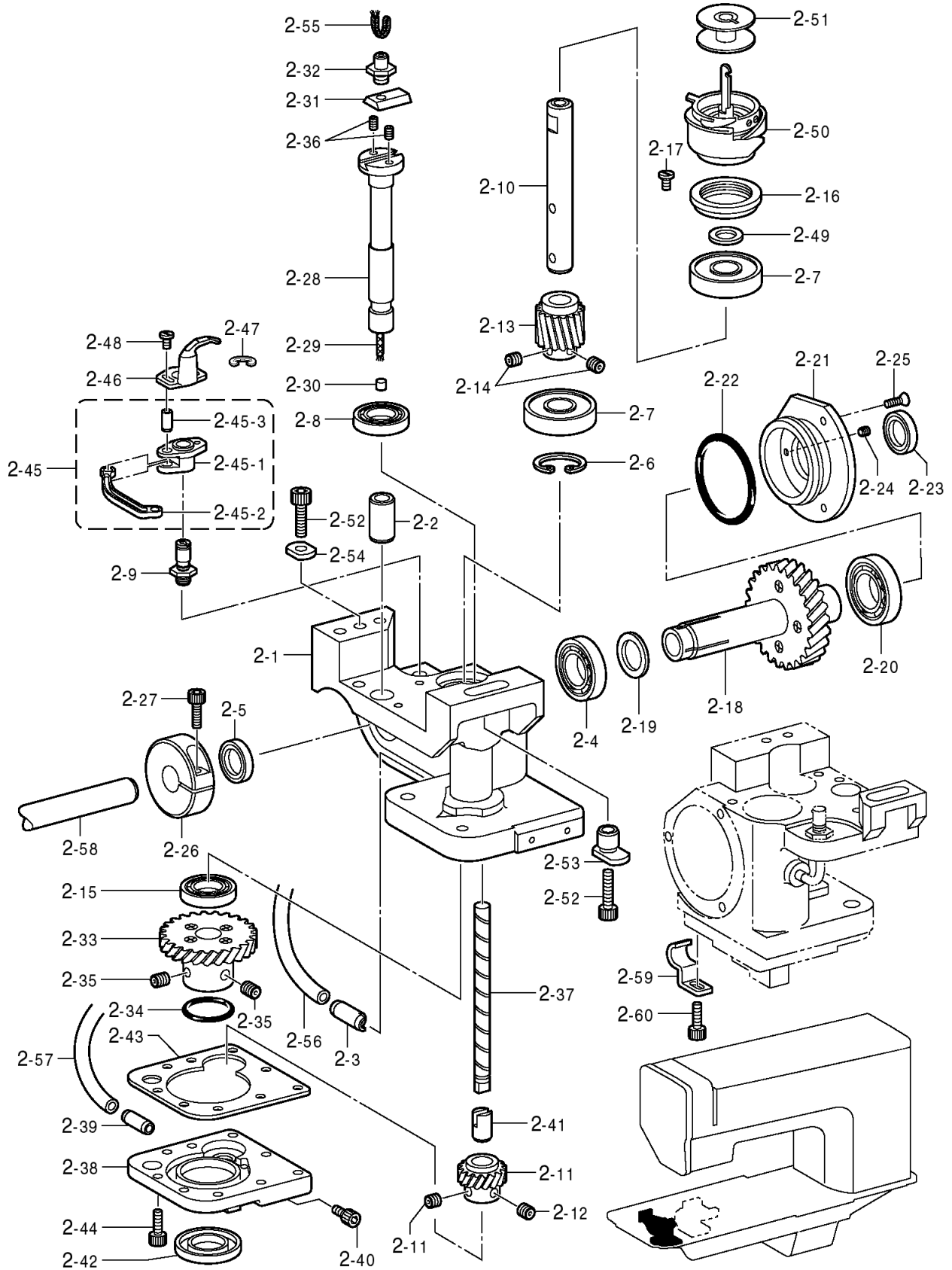
\* If you change from single needle to twin needle, replace with the above gauge as well.

## Gauge parts

[Models LT2-B892]

Ref. No.	Part name	Part code	Q'ty
	< For needle gauge : 3 mm >		
1-1	Gauge set, 3	SSSC60-690	1
1-1-1	Inner presser foot, 3	SSSS60-670	1
1-1-2	Outer presser foot assy, 3-4	SSSS60-680	1
1-1-3	Needle plate, 3	SSSS60-640	1
1-1-4	Feed dog, 3	SSSS60-650	1
1-1-5	Needle clamp assy, 3	SSSS60-660	1
1-1-6	Thread guide, 6	SSSS60-624	1
1-1-7	Screw, pan SM2.38 - 56 × 4	062630-412	1
	< For needle gauge : 4 mm >		
1-2	Gauge set, 4	SSSC60-691	1
1-2-1	Inner presser foot, 4	SSSS60-671	1
1-2-2	Outer presser foot assy, 3-4	SSSS60-680	1
1-2-3	Needle plate, 4	SSSS60-641	1
1-2-4	Feed dog, 4	SSSS60-651	1
1-2-5	Needle clamp assy, 4	SSSS60-661	1
1-2-6	Thread guide, 6	SSSS60-624	1
1-2-7	Screw, pan SM2.38 - 56 × 4	062630-412	1
	< For needle gauge : 6 mm >		
1-3	Gauge set, 6	SSSC60-692	1
1-3-1	Inner presser foot, 6	SSSS60-672	1
1-3-2	Outer presser foot assy, 6	SSSS60-681	1
1-3-3	Needle plate, 6	SSSS60-642	1
1-3-4	Feed dog, 6	SSSS60-652	1
1-3-5	Needle clamp assy, 6	SSSS60-662	1
1-3-6	Thread guide, 6	SSSS60-624	1
1-3-7	Screw, pan SM2.38 - 56 × 4	062630-412	1
	< For needle gauge : 8 mm >		
1-4	Gauge set, 8	SSSC60-693	1
1-4-1	Inner presser foot, 8	SSSS60-673	1
1-4-2	Outer presser foot assy, 8	SSSS60-682	1
1-4-3	Needle plate, 8	SSSS60-643	1
1-4-4	Feed dog, 8	SSSS60-653	1
1-4-5	Needle clamp assy, 8	SSSS60-663	1
1-4-6	Thread guide, 6	SSSS60-624	1
1-4-7	Screw, pan SM2.38 - 56 × 4	062630-412	1
	< For needle gauge : 10 mm >		
1-5	Gauge set, 10	SSSC60-694	1
1-5-1	Inner presser foot, 10	SSSS60-674	1
1-5-2	Outer presser foot assy, 10	SSSS60-683	1
1-5-3	Needle plate, 10	SSSS60-644	1
1-5-4	Feed dog, 10	SSSS60-654	1
1-5-5	Needle clamp assy, 10	SSSS60-664	1
1-5-6	Thread guide, 12	SSSS60-625	1
1-5-7	Screw, pan SM2.38 - 56 × 4	062630-412	1
	< For needle gauge : 12 mm >		
1-6	Gauge set, 12	SSSC60-695	1
1-6-1	Inner presser foot, 12	SSSS60-675	1
1-6-2	Outer presser foot assy, 12	SSSS60-684	1
1-6-3	Needle plate, 12	SSSS60-645	1
1-6-4	Feed dog, 12	SSSS60-655	1
1-6-5	Needle clamp assy, 12	SSSS60-665	1
1-6-6	Thread guide, 12	SSSS60-625	1
1-6-7	Screw, pan SM2.38 - 56 × 4	062630-412	1
2	Bolt, socket M4 × 5	SSSS60-048	1
4	Bolt, socket M4 × 10	SSSS27-174	1
6	Screw, flat M4 × 8	SSSS60-235	2
7	Slide plate, R	SSSS60-236	1
8	Slide plate, L	SSSS60-237	1
10	Screw, pan M4 × 10	062401-012	2
14	Screw, pan SM2.38 - 56 × 4	062630-412	1

< -005仕様用変更部品 / Conversion parts to "-005" spec. >



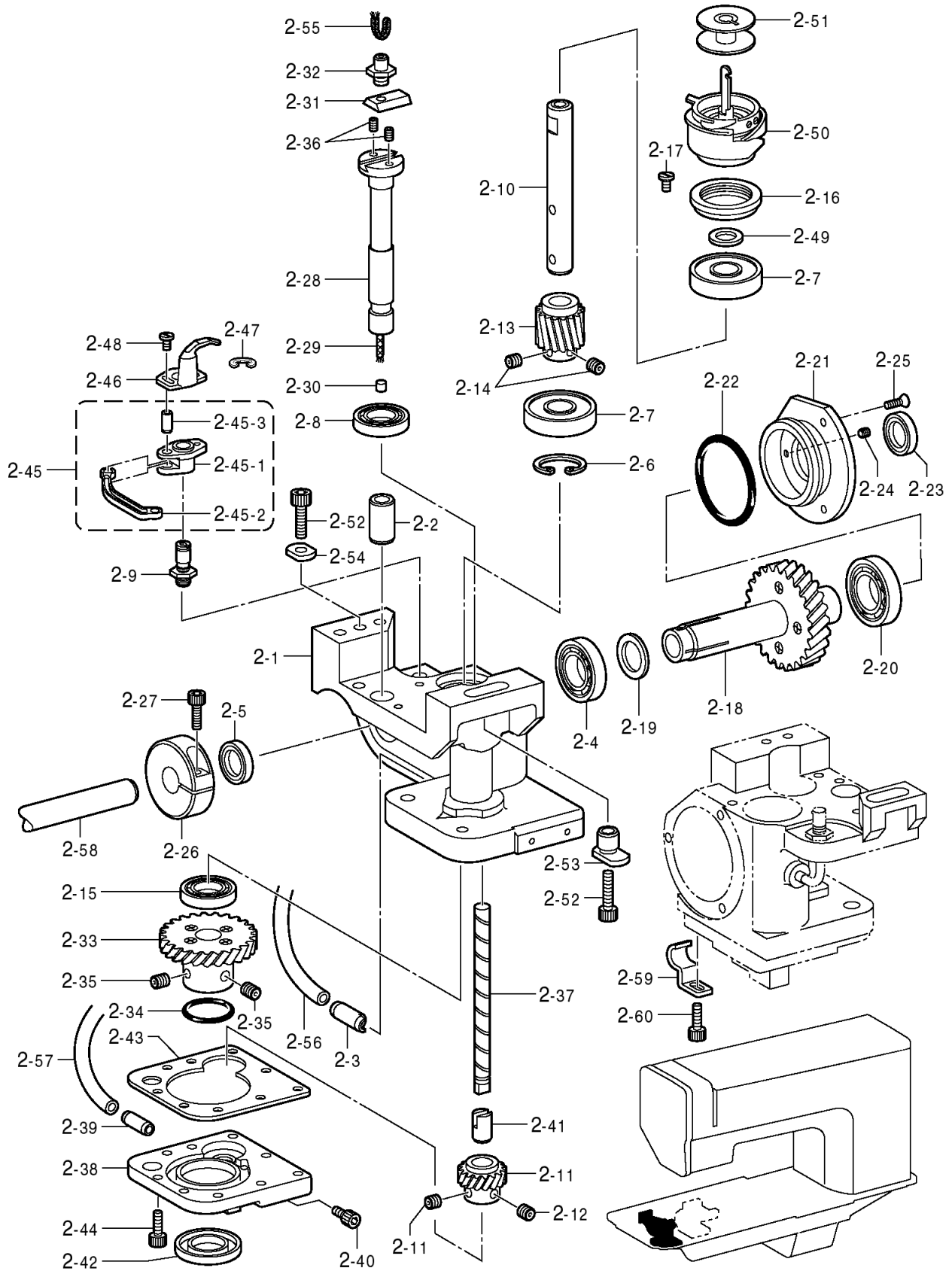
From the library of: Diamond Needle Corp

## Conversion parts set (Single needle to twin needle)

[Models LS2-B891]

Ref. No.	Part name	Part code	Q'ty
	< Conversion parts to "- 005" spec. >		
2	Horizontal hook base assy, L	SSSC60-696	1
2-1	Horizontal hook base, L	SSSS60-600	1
2-2	Bushing, U	SSSS60-295	1
2-3	Pipe	SSSS60-357	1
2-4	Ball bearing	SSSS60-267	1
2-5	Oil seal	SSSS60-243	1
2-6	Retaining ring, internal C26	SSSS60-259	1
2-7	Ball bearing	SSSS60-262	2
2-8	Ball bearing	SSSS60-603	1
2-9	Pin	SSSS60-602	1
2-10	Horizontal hook shaft	SSSS60-253	1
2-11	Gear, S OP-shaft	SSSS60-290	1
2-12	Set screw, socket (CP) M5 × 5	SSSS18-028	2
2-13	Gear, S	SSSS60-256	1
2-14	Set screw, socket (CP) M5 × 5	SSSS18-028	2
2-15	Ball bearing	SSSS60-604	1
2-16	Oil pan, h-hook shaft	SSSS60-258	1
2-17	Screw, M5 × 5	SSSS37-509	2
2-18	Lower shaft gear assy	SSSS60-269	1
2-19	Washer	SSSS60-270	1
2-20	Ball bearing	SSSS60-267	1
2-21	Lower shaft holder, BR	SSSS60-264	1
2-22	O ring	SSSS60-266	1
2-23	Oil seal	SSSS60-243	1
2-24	Set screw, socket (CP) M4 × 5	SSSS37-229	3
2-25	Screw, flat M4 × 6	SSSS37-210	3
2-26	Collar, h-hook	SSSS60-271	1
2-27	Bolt, socket M6 × 18	SSSS28-076	1
2-28	Opener shaft	SSSS60-281	1
2-29	Oil wick, 80	SSSS60-282	1
2-30	Rubber cap, 4.2	142274-009	1
2-31	Adjusting guide rail, OP	SSSS60-288	1
2-32	Adjusting pin, opener	SSSS60-278	1
2-33	Gear base assy, OP	SSSS60-291	1
2-34	O ring, 10	SSSS18-420	1
2-35	Set screw, socket (CP) M5 × 6	SSSS27-170	2
2-36	Set screw, socket (CP) M3 × 6	SSSS60-280	2
2-37	Lubrication shaft	SSSS60-260	1
2-38	Oil tank, h-hook base	SSSS60-601	1
2-39	Pipe	SSSS60-357	1
2-40	Bolt, socket M3 × 6	SSSS18-349	1
2-41	Bushing, lubrication shaft	SSSS60-261	1
2-42	Oil seal	SSSS60-247	1
2-43	Sheet packing	SSSS60-244	1
2-44	Bolt, socket M4 × 10	SSSS27-174	9
2-45	Setting bracket assy, Opener	SSSC60-279	1
2-45-1	Setting bracket, Opener	SSSS60-279	1
2-45-2	Opener arm	SSSS60-286	1
2-45-3	Pin	SSSS60-287	1
2-46	Opener, BC	SSSS60-276	1
2-47	Retaining ring, E4	SSSSS4-839	1
2-48	Screw, M3 × 6	SSSS37-269	2
2-49	Spacer, 0.3 t = 0.3	SS6024-101	1
2-49	Spacer, 0.4 t = 0.4	SS6024-102	1
2-49	Spacer, 0.5 t = 0.5	SS6024-103	1
2-49	Spacer, 0.2 t = 0.2	SS6024-104	1
2-50	Horizontal hook assy	SSSS60-482	1

< -005仕様用変更部品 / Conversion parts to "-005" spec. >



From the library of: Diamond Needle Corp

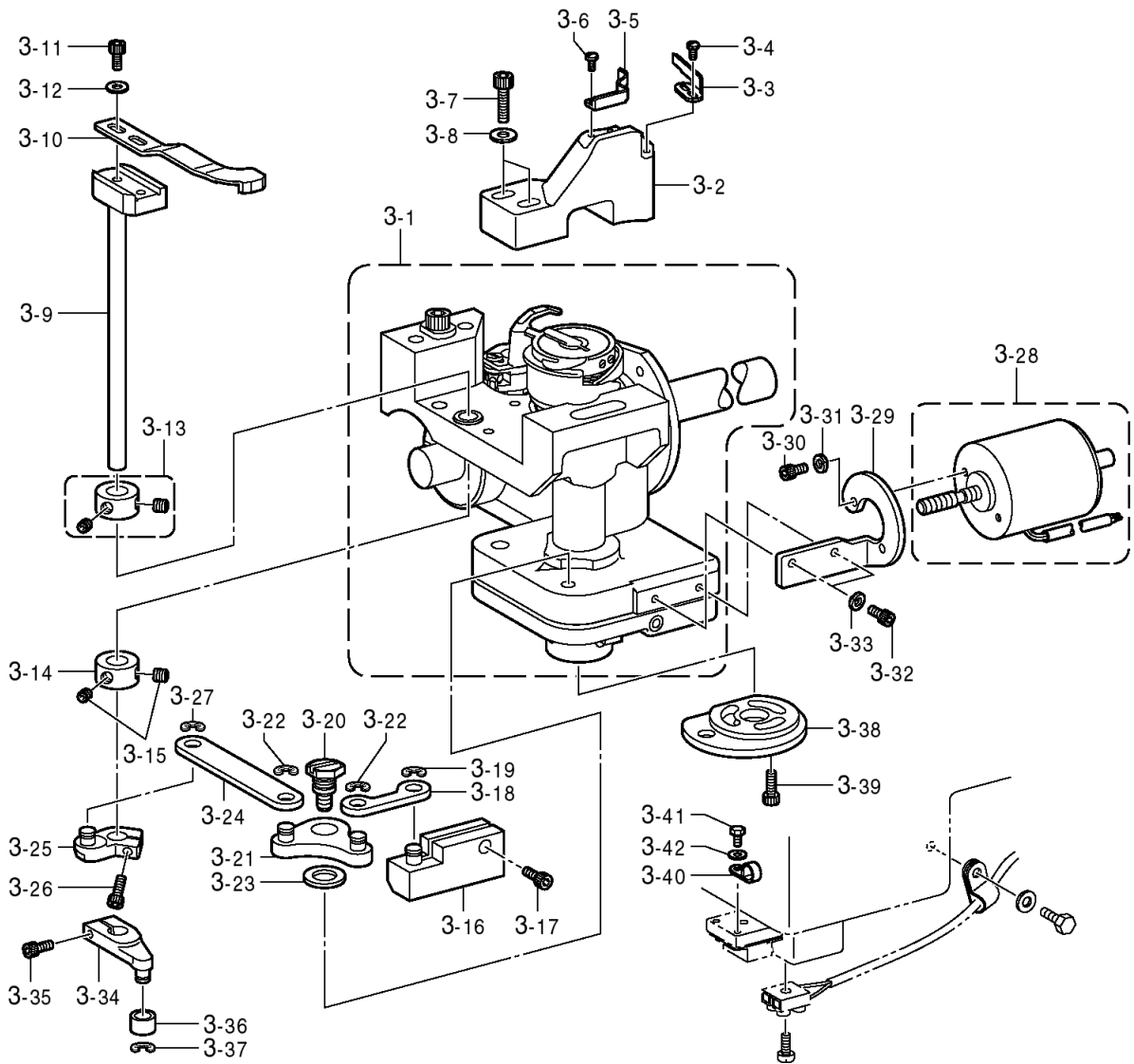


## Conversion parts set (Single needle to twin needle)

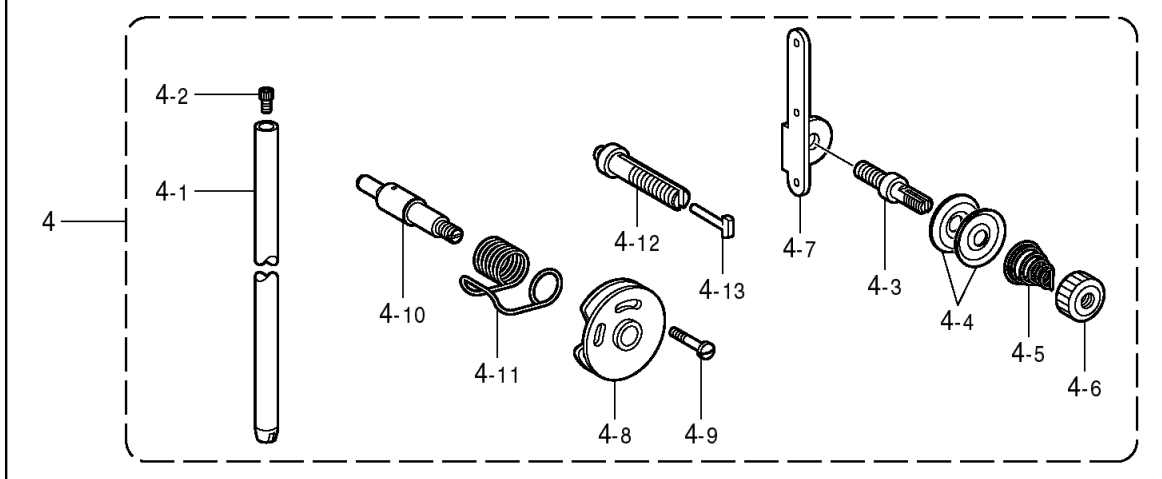
[Models LS2-B891]

Ref. No.	Part name	Part code	Q'ty
	< Conversion parts to "- 005" spec. >		
2-51	Bobbin	SSSS60-240	1
2-52	Bolt, socket M6 × 25	SSSS38-124	2
2-53	Eccentric collar	SSSS60-252	1
2-54	Washer	SSSS60-245	1
2-55	Oil wick, 50	SSSS60-273	1
2-56	Oil tube, 170	SSSS60-620	1
2-57	Oil tube, 300	SSSS60-621	1
2-58	Lower shaft	SSSS60-605	1

< -705仕様用変更部品 / Conversion parts to "-705" spec. >



< 共通部品 / Common parts >



## Conversion parts set (Single needle to twin needle)

[Models LS2-B891]

Ref. No.	Part name	Part code	Q'ty
	< Conversion parts to "- 705" spec. >		
3	H-hook base assy, L-TR	SSSC60-697	1
3-1	Horizontal hook base assy, L	SSSC60-696	1
3-2	Support bracket, F-knife	SSSS60-303	1
3-3	Fixed knife	SSSS60-302	1
3-4	Screw, SM3.57 × 8	SSSSS8-031	2
3-5	Spring, thread holding	SSSS60-304	1
3-6	Screw, SM3.57 × 8	SSSSS8-031	2
3-7	Bolt, socket M5 × 25	SSSS27-178	2
3-8	Washer, plain M5	SSSS16-287	2
3-9	Driving knife shaft	SSSS60-294	1
3-10	Driving knife	SSSS60-292	1
3-11	Bolt, socket M3 × 6	SSSS18-349	2
3-12	Washer, plain M3	SSSS31-111	2
3-13	Set screw collar assy	S21775-001	1
3-14	Set screw collar	SSSS60-635	1
3-15	Set screw, socket (CP) SM4.37	014680-422	2
3-16	Thread trimmer sol. arm assy	SSSS60-610	1
3-17	Bolt, socket M4 × 10	SSSS27-174	1
3-18	Link, A	SSSS60-611	1
3-19	Retaining ring, E3	SSSSS4-835	1
3-20	Shoulder screw, M6	SSSS60-612	1
3-21	Driving knife arm assy, D	SSSS60-613	1
3-22	Retaining ring, E3	SSSSS4-835	2
3-23	Washer, plain 6	156265-001	1
3-24	Link, B	SSSS60-614	1
3-25	Driving knife arm assy, C	SSSS60-615	1
3-26	Bolt, socket M4 × 12	SSSS31-092	1
3-27	Retaining ring, E3	SSSSS4-835	1
3-28	Thread trimmer solenoid assy	SSSS60-617	1
3-29	Setting plate, sol.	SSSS60-616	1
3-30	Bolt, socket M4 × 10	SSSS27-174	2
3-31	Washer, spring 2-4	SSSS31-208	2
3-32	Bolt, socket M4 × 10	SSSS27174	2
3-33	Washer, spring 2-4	SSSS31-208	2
3-34	Driving knife arm	SSSS60-298	1
3-35	Bolt, socket M4 × 14	SSSS34-008	1
3-36	Roller	SSZ814-502	1
3-37	Retaining ring, external 4	SSZ814-503	1
3-38	Thread trimmer cam	SSSS60-307	1
3-39	Bolt, socket M4 × 12	SSSS31-092	3
3-40	Cushion clamp	SSSS30-625	1
3-41	Bolt, SM3.57	144075-001	1
3-42	Washer, plain L3.5	SSSS30-025	1
	< Common parts >		
4	T-needle gauge set	SSSC60-698	1
4-1	Needle bar	SSSS60-622	1
4-2	Bolt, socket M3 × 10	SSSS31-110	1
4-3	Tension adjusting stud, 1st	SSSS60-134	1
4-4	Tension disc	SSSS20-244	2
4-5	Tension spring	SS2022-601	1
4-6	Nut	SSSS20-225	1
4-7	Thread hook, 1st	SSSS60-133	1
4-8	Tension spring guide assy	SSSS10-694	1
4-9	Screw, SM2.38 - 56 × 12	144682-001	1
4-10	Tension stud, L	SSSS10-951	1
4-11	Spring	SSSS10-953	1
4-12	Tension stud	SSSS60-630	1
4-13	Pusher pin, L t-release	SSSS10-952	1